

DONN® DX3-24 SG

Exposed 24 mm grid system - System C

Key features

- DX3 with three rib design for more stability, increased security, faster installation
- Patented golden “Quick-Release™ Clip” for high quality grid system installation
- Clear audible click-connection, and can be removed without tools

Application areas

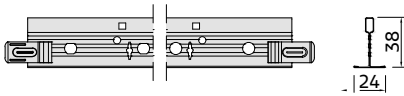
- Healthcare / Classrooms / Meeting rooms / Individual offices

Physical data

- Material: galvanised steel
- Surface finish: baked polyester paint
- Colour: all products standard in RAL 9010
- Other standard colours available on popular items

DONN® DX3-24

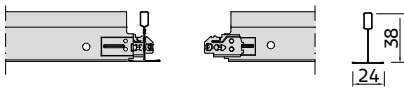
Main Runners (bulb-to-bulb connection)



Item reference	Dimensions (mm)			Slot centres	Content/carton		Weight/carton kg	Cartons/pallet
	Length	Width	Height		pcs	lm		
DX3-24TH375Y	3750	24	38	156.25	20	75	23	70
DX3-24TH370Y	3700	24	38	100	20	74.00	22.00	70

DONN® DX3-24

Cross Tees (stab system - butt cut)



Item reference	Dimensions (mm)			Slot centres	Content/carton		Weight/carton kg	Cartons/pallet
	Length	Width	Height		pcs	lm		
Cross Tees - Slotted								
DXB24TH125Y	1250	24	38	312.5	60	75.00	22.00	75
DXB24TH120Y	1200	24	38	300	60	72.00	21.00	75
DXB24TH62.5Y	625	24	38	312.5	60	37.50	11	144
DXB24TH60Y	600	24	38	300	60	36.00	10.50	144

Section Drawings

DONN® DX3-24

Main Runners (bulb-to-bulb connection)

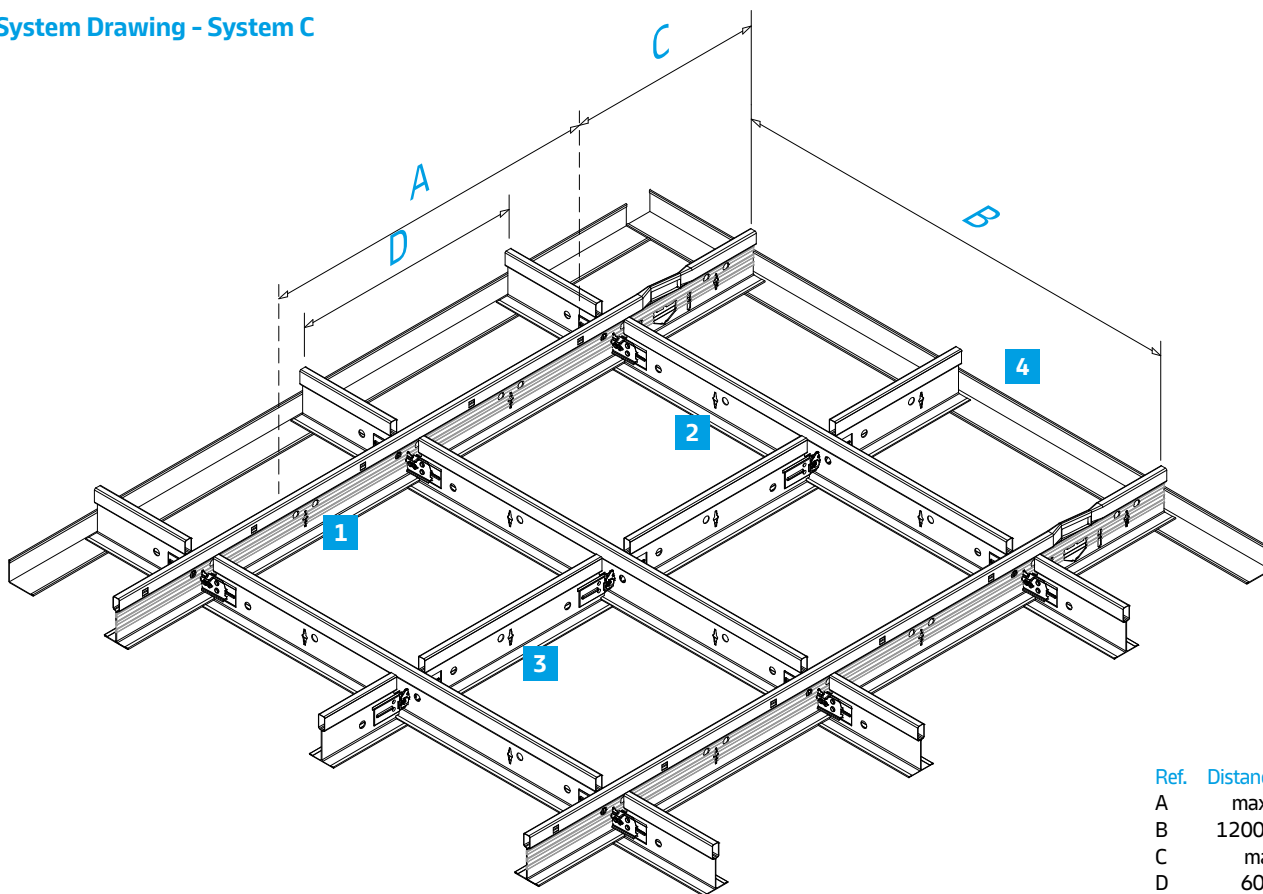
Length	78.125	156.25	21 x 156.25	156.25	78.125
3750	50	100	34 x 100	100	50

DONN® DX3-24

Cross Tees (stab system - butt-cut)

Length	1250	375	2 x 300	375	625	312.5	312.5
1200	300		2 x 300	300	600	300	300

System Drawing - System C

Material required per m² (no waste included)

No.	Description	Item reference	Module 600 x 600	Module 625 x 625	Module 1200 x 600	Module 1250 x 625
1	Main Runner	DX3-24TH370Y	0.84 lm -	- 0.80 lm	0.84 lm -	- 0.80 lm
2	Long Cross Tee	DXB24TH120Y	1.67 lm -	- 1.60 lm	1.67 lm -	- 1.60 lm
3	Short Cross Tee	DXB24TH60Y	0.84 lm	0.84 lm	0.84 lm	
4	Perimeter trim	-	Dependent on room dimensions (approx. 0.6 lm/m ²)			
	Hanger	-	0.70 pcs	0.64 pcs	0.70 pcs	0.64 pcs
	Retaining Clip	-	5.56 pcs	5.56 pcs	5.56 pcs	5.56 pcs
	Tiles	-	2.78 pcs	2.56 pcs	1.39 pcs	1.28 pcs

Load Table

Maximum permissible weight (kg/m²)

Main Runner distances	1200 mm	1250 mm	600 mm	625 mm
Hanger distance A (mm)	Module 600x600, 1200x600	Module 625x625, 1250x625	Module 600x600, 1200x600	Module 625x625, 1250x625
800	13.1	11.5	25.0	25.0
1000	10.0	9.6	25.0	25.0
1200	6.9	6.6	13.8	13.2
1500	4.3	4.1	8.6	8.3
Note: The load per m ² must be evenly distributed (no extra point loads). After loading, the deflection will remain within the permitted deflection according to class 1 (L/500) of EN 13964, provided the grid is laid out as shown.				

For other grid layouts, load capacities or hanger distances, please contact Knauf Ceiling Solutions.

Characteristics	Detailed information
Fire reaction	Euroclass A2, s1-d0 as per EN 13501-1
Indoor air quality	A+ ISO 3
Cleanability	
Sustainability	up to 25%

All measurements in millimetres. All sizes are nominal.
Cross Tee alignment is achieved by locating the tees to the left-hand side of the adjoining section.

Products may vary from country to country. Please contact your local sales representative.
For further information and legal notice, please visit our website.